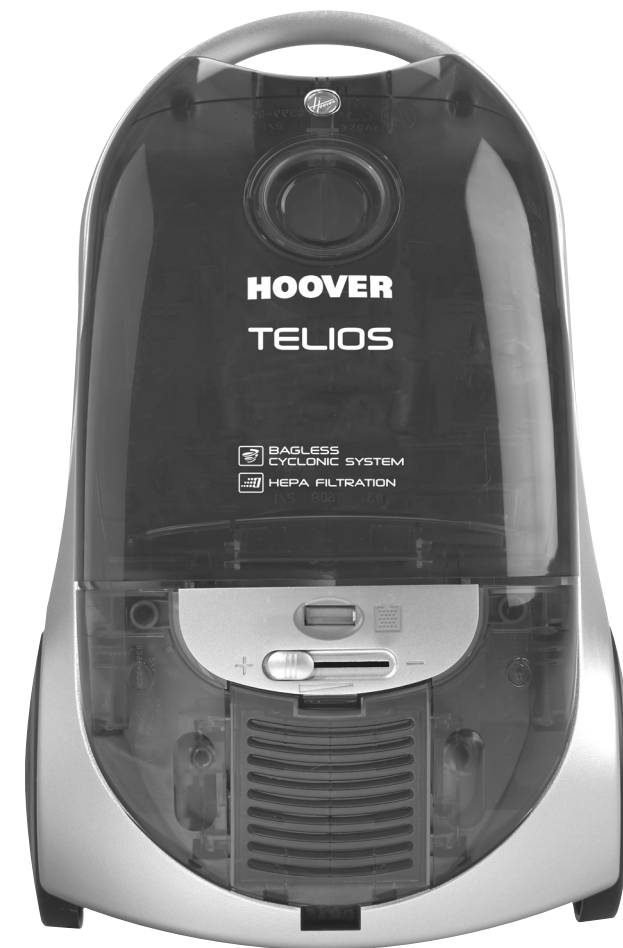




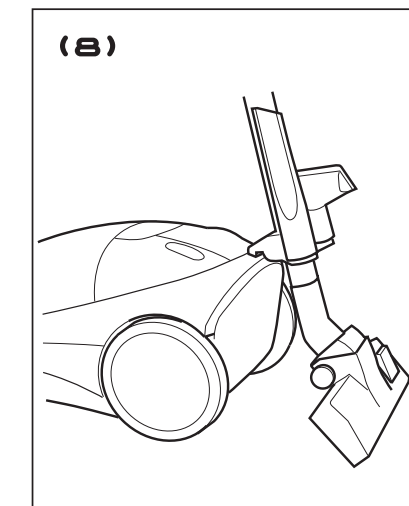
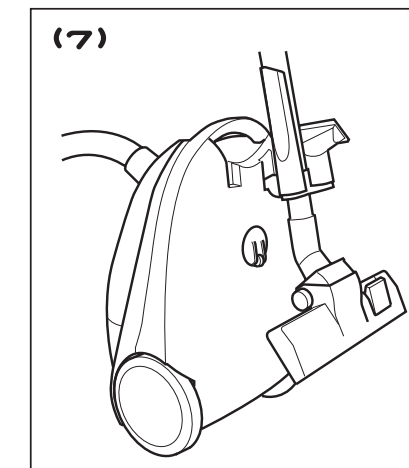
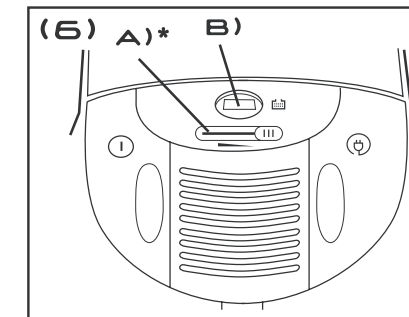
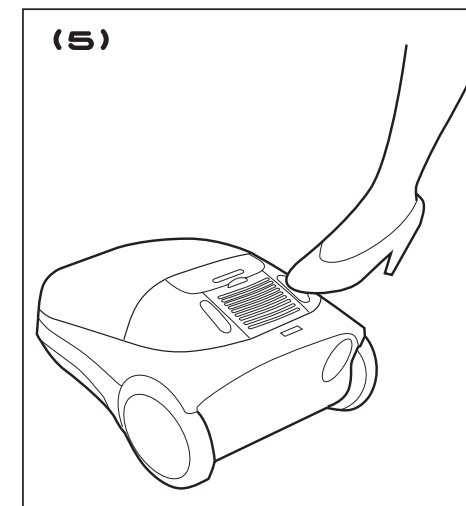
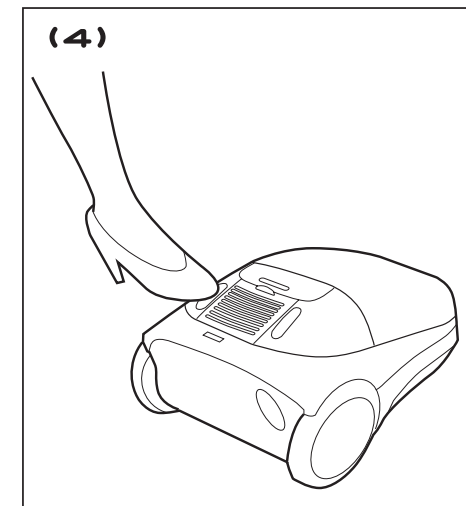
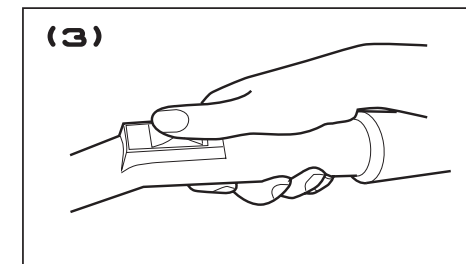
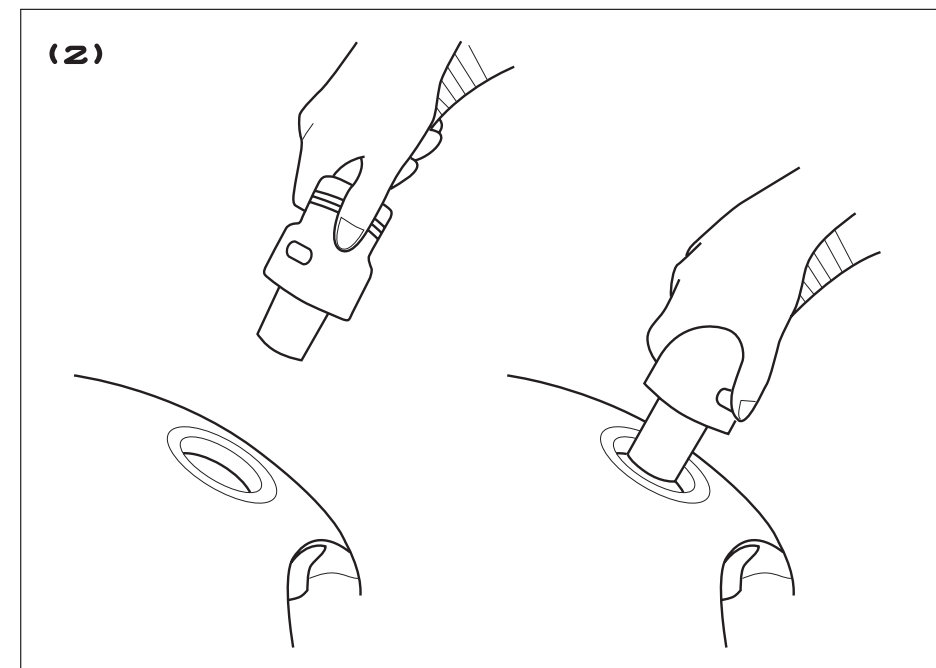
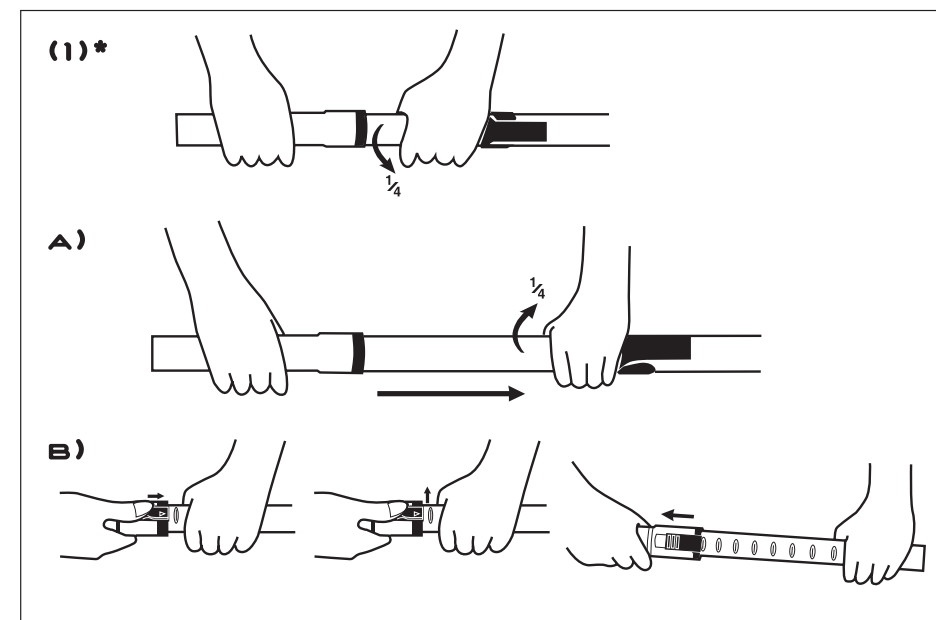
GENERATION FUTURE

TELIOS CYCLONIC



**HOOVER
TELIOS**

BAGLESS
CYCLONIC SYSTEM
HEPA FILTRATION



ENGLISH

ELECTRICAL REQUIREMENTS

WARNING!

ELECTRICITY CAN BE EXTREMELY DANGEROUS.

THIS APPLIANCE IS DOUBLE INSULATED AND MUST NOT BE EARTHED.

IMPORTANT: THE WIRES IN THE MAINS LEAD ARE COLOURED IN ACCORDANCE WITH THE FOLLOWING CODE:

BLUE - NEUTRAL

BROWN - LIVE

***FEATURE VARIES ACCORDING TO MODEL**

TELESCOPIC TUBES (1) *

A) TWIST TO RELEASE LOCK.

PULL OUT TO REQUIRED LENGTH.

TWIST TO TIGHTEN.

OR

B) PUSH LATCH FORWARD OR UPWARDS AS APPLICABLE.

PULL OUT TO REQUIRED LENGTH.

RELEASE LATCH TO LOCK.

HOSE FITTING (2)

PUSH INTO HOSE INLET.

TO RELEASE SQUEEZE BOTH BUTTONS AND PULL OUT.

SUCTION REGULATOR (3)

MOVE SLIDER TO ADJUST SUCTION.

ON/OFF PEDAL (4)

PUSH TO SWITCH ON.

PUSH AGAIN TO SWITCH OFF.

CORD REEL PEDAL (5) *

PUSH TO AUTOMATICALLY REEL IN SUPPLY CORD.

CONTROLS (6A) POWER CONTROL *
MOVE SLIDE CONTROL TO SET POWER LEVEL.

(+) INCREASE DECREASE (-)



STORING THE CLEANER (7) *

USE STORAGE CLIP AS SHOWN WHEN STORING THE CLEANER.

PARK POSITION (8)

FOR TEMPORARY STORAGE DURING CLEANING.

CARPET/FLOOR NOZZLE (9) *

A) CARPET POSITION - BRUSHES IN

B) HARD FLOOR POSITION -

BRUSHES OUT

C) UNIVERSAL NOZZLE

CLEANING TOOLS (10)

3 CLEANING TOOLS ARE SUPPLIED WITH YOUR PRODUCT. THE EXTENSION TUBE STORAGE ALLOWS TWO TOOLS TO BE STORED.

A) CREVICE TOOL

B) DUSTING BRUSH

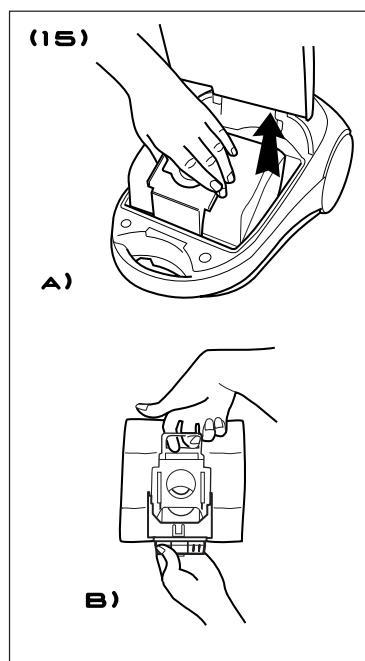
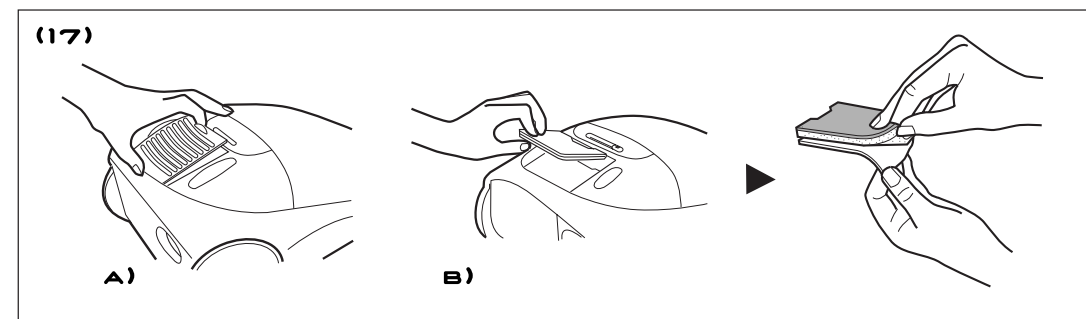
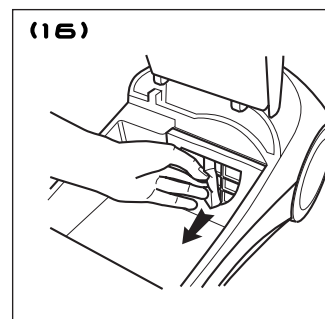
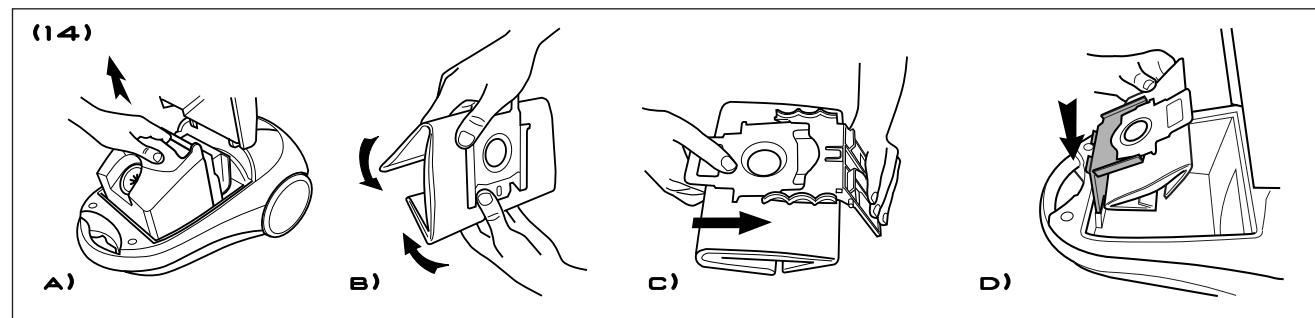
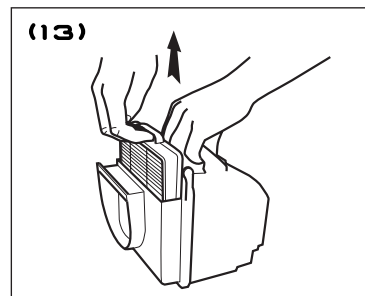
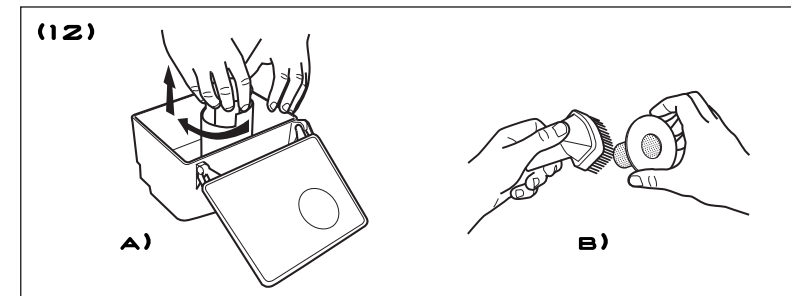
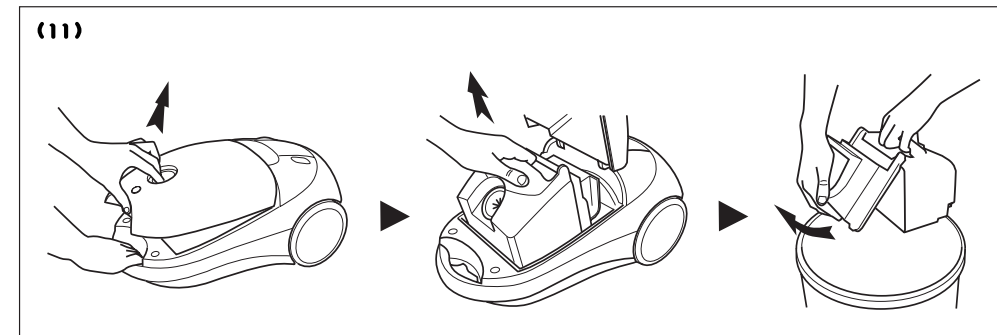
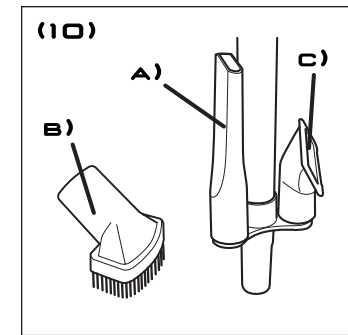
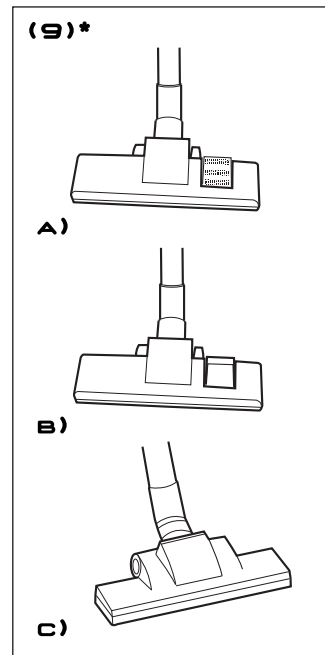
C) MULTIPURPOSE NOZZLE

EMPTYING AND CLEANING CYCLONIC CASSETTE AND FILTERS

IMPORTANT: SWITCH CLEANER OFF AND REMOVE PLUG FROM ELECTRICITY SUPPLY BEFORE EMPTYING CASSETTE OR REMOVING ANY FILTERS

DO NOT USE THE CLEANER WITHOUT THE CASSETTE OR FILTERS IN PLACE.

PLEASE NOTE THE COVER WILL NOT CLOSE UNLESS THE CASSETTE IS IN PLACE.



ENGLISH

PLEASE READ THESE INSTRUCTIONS THOROUGHLY

THIS PRODUCT MUST BE ASSEMBLED AND OPERATED IN ACCORDANCE WITH THESE INSTRUCTIONS AND USED ONLY FOR DOMESTIC CLEANING TO REMOVE DRY DIRT AND DUST FROM HOUSEHOLD CARPETS AND FLOORING.

THE TOOL KIT CAN BE USED TO REMOVE DIRT AND DUST FROM FURNITURE AND FABRICS.

SAFETY REMINDERS

USER'S MANUAL. THIS CLEANER SHOULD ONLY BE USED FOR ITS INTENDED PURPOSE AS DESCRIBED IN THESE INSTRUCTIONS. ENSURE THAT THESE ARE FULLY UNDERSTOOD BEFORE OPERATING THE APPLIANCE.

MAINTAIN THE FILTERS FREQUENTLY WHEN PICKING UP MATERIAL SUCH AS POWDER OR FINE DUST OR WHEN CLEANING NEW CARPETS.

DO NOT USE YOUR CLEANER OUT OF DOORS OR ON ANY WET SURFACE OR FOR WET PICK-UP.

DO NOT PICK UP HARD OR SHARP OBJECTS, MATCHES, HOT ASHES, CIGARETTE ENDS OR OTHER SIMILAR ITEMS.

STATIC ELECTRICITY. SOME CARPETS CAN CAUSE A SMALL BUILD UP OF STATIC ELECTRICITY. ANY STATIC DISCHARGE IS NOT HAZARDOUS TO HEALTH.

ONLY USE ATTACHMENTS RECOMMENDED OR SUPPLIED BY HOOVER.

DO NOT PICK UP FLAMMABLE LIQUIDS SUCH AS CLEANING FLUIDS, PETROL ETC, OR THEIR VAPOURS. **AEROSOL SPRAYS** MAY BE FLAMMABLE. DO NOT SPRAY NEAR THE CLEANER.

SUPPLY CORD. DO NOT REMOVE THE PLUG BY PULLING ON THE SUPPLY CORD. IF THE SUPPLY CORD IS DAMAGED, THE CLEANER MUST BE REPAIRED BY AN AUTHORISED HOOVER SERVICE ENGINEER TO AVOID A SAFETY HAZARD.

FAULTS. DO NOT CONTINUE TO USE YOUR CLEANER IF IT APPEARS TO BE FAULTY OR THE SUPPLY CORD IS DAMAGED.

AFTER USE. SWITCH THE CLEANER OFF AND REMOVE THE PLUG FROM THE ELECTRICITY SUPPLY. ALWAYS SWITCH OFF AND REMOVE THE PLUG BEFORE CLEANING THE APPLIANCE OR ATTEMPTING ANY MAINTENANCE WORK.

HOOVER SERVICE. TO ENSURE THE CONTINUED SAFE AND EFFICIENT OPERATION OF THIS APPLIANCE, WE RECOMMEND THAT ANY SERVICING OR REPAIRS ARE ONLY CARRIED OUT BY AN AUTHORISED HOOVER SERVICE ENGINEER.

ENGLISH

EMPTYING THE CYCLONIC CASSETTE (11)

FOR OPTIMUM PERFORMANCE HOOVER RECOMMENDS THAT YOU EMPTY THE CYCLONIC CASSETTE AFTER EACH USE. TO EMPTY THE CASSETTE:

- REMOVE THE HOSE.
- PUSH IN THE BUTTON AND OPEN THE COVER.
- LIFT OUT CASSETTE USING THE CARRY HANDLE.
- POSITION THE CASSETTE OVER A BIN BEFORE OPENING IT.
- PRESS THE YELLOW LATCH AT THE CASSETTE BOTTOM AND OPEN THE CASSETTE DOOR.
- GRIP THE CYCLONIC CASSETTE FIRMLY AND TIP THE CONTENTS INTO THE BIN.
- CLOSE CASSETTE DOOR AND REFIT THE CASSETTE IN IT'S ORIGINAL POSITION IN THE CLEANER.

MAINTAINING THE CYCLONIC SCREEN AND FILTER (12 & 13A)

CLEAN THE CYCLONIC SCREEN AFTER EACH EMPTY.

- ROTATE THE CYCLONIC SCREEN TO RELEASE. (12A)
- THE SCREEN CAN BE CLEANED USING THE DUSTING BRUSH SUPPLIED. (12B)

HOOVER RECOMMENDS THAT YOU WASH THE CASSETTE FILTER AFTER FIVE CASSETTE EMPTIES.

- REMOVE THE CASSETTE FILTER BY MEANS OF THE HANDLE. (13)
- TAP THE FILTER OVER A BIN
- RINSE UNDER HAND WARM WATER
- LEAVE TO DRY FOR 24 HOURS OR UNTIL COMPLETELY DRY BEFORE REFITTING

REVERTER SYSTEM - HOW TO CHANGE FROM CYCLONIC BAGLESS TO PUREHEPA-ANTI ODOUR BAG MODE. (14 & 15)

DEPENDING ON YOUR PREFERENCE AND ENVIRONMENT, YOU MAY WISH TO USE THIS CLEANER WITH THE HOOVER EXCLUSIVE PUREHEPA-ANTI ODOUR BAG INSTEAD OF THE CYCLONIC CASSETTE.

- SWITCH THE CLEANER OFF AND REMOVE THE PLUG FROM THE ELECTRICITY SUPPLY.

- OPEN THE COVER, GRIP THE CYCLONIC CASSETTE HANDLE AND PULL UPWARD TO REMOVE IT. (14A)
- FOLD THE PUREHEPA-ANTI ODOUR BAG AND FIT INTO THE BAG HOLDER WHICH IS PROVIDED WITH THE CLEANER (14B). TO FIT THE PUREHEPA-ANTI ODOUR BAG, INSERT THE BAG COLLAR INTO THE LOCATION GROOVES ENSURING THAT THE BAG COLLAR IS FULLY LOCATED (14C).
- PLACE THE BAG HOLDER IN THE CORRECT LOCATION AS SHOWN (14D) AND CLOSE THE COVER.

WHEN PUREHEPA-ANTI ODOUR BAG IS FULL, THE BAG CHECK INDICATOR (6B) TURNS FROM GREEN TO RED. PLEASE DISPOSE OF THE BAG IMMEDIATELY.

- OPEN COVER, GRIP THE BAG HOLDER AND PULL UPWARD TO REMOVE. (15A)
- PULL THE BAG COLLAR TONGUE TO SEAL THE BAG AND REMOVE IT FROM THE BAG HOLDER (15B). DISPOSE ONLY OF THE FULL BAG INTO THE BIN - RETAIN THE BAG HOLDER TO FIT THE NEW BAG.
- ONLY USE HOOVER GENUINE PUREHEPA-ANTI ODOUR BAGS. ORDER PACK NO. H61 35600398

MAINTAINING THE PRE-MOTOR FILTER AND CHANGING THE EXHAUST MICROFILTER. (16 & 17)

TO ACCESS THE PRE-MOTOR FILTER PLEASE REMOVE THE CYCLONIC CASSETTE. REMOVE THE PRE-FILTER FROM ITS RUBBER FRAME (16).

- RINSE THE FILTER UNDER HAND WARM WATER.
- LEAVE TO DRY FOR 24 HOURS OR UNTIL COMPLETELY DRY BEFORE CAREFULLY REFITTING.
- HOOVER RECOMMENDS THAT YOU REPLACE THE EXHAUST MICROFILTER AFTER EVERY 10 CASSETTE EMPTIES OR 5 FULL BAGS.

- LIFT OFF FILTER COVER. (17A)
- REMOVE BI-COLOUR FOAM FILTER AND MICROFILTER. (17B)
- DISPOSE OF THE MICROFILTER AND REFIT WITH NEW.
- RINSE THE BI-COLOUR FOAM FILTER UNDER HAND WARM WATER.
- LEAVE TO DRY FOR 24 HOURS OR UNTIL COMPLETELY DRY BEFORE REFITTING.
- REPLACE COVER.

ENGLISH

CALLING FOR SERVICE

A CHARGE WILL BE MADE IF THE CLEANER IS FOUND TO BE IN WORKING ORDER OR HAS NOT BEEN ASSEMBLED IN ACCORDANCE WITH THESE INSTRUCTIONS OR HAS BEEN USED INCORRECTLY.

BEFORE CALLING A HOOVER SERVICE ENGINEER RUN THROUGH THE FOLLOWING CHECKLIST:

1. IS THERE A WORKING ELECTRICITY SUPPLY TO THE CLEANER? CHECK WITH ANOTHER APPLIANCE.
2. IS THE CASSETTE FULL OR IS THE BAG FULL?
3. IS THE HOSE BLOCKED?
4. ARE THE FILTERS BLOCKED?

IF THERE IS ANY DOUBT CALL YOUR LOCAL HOOVER SERVICE OFFICE FOR ADVICE. THEY MAY BE ABLE TO ASSIST YOU OVER THE TELEPHONE.

GUARANTEE STATEMENT

THE GUARANTEE CONDITIONS FOR THIS APPLIANCE ARE AS DEFINED BY OUR REPRESENTATIVE IN THE COUNTRY IN WHICH IT IS SOLD. DETAILS REGARDING THESE CONDITIONS CAN BE OBTAINED FROM THE DEALER FROM WHOM THE APPLIANCE WAS PURCHASED. THE BILL OF SALE OR RECEIPT MUST BE PRODUCED WHEN MAKING ANY CLAIM UNDER THE TERMS OF THIS GUARANTEE. SUBJECT TO CHANGE WITHOUT NOTICE.

GIAS CUSTOMER SERVICE 08705 400600
HOOVER SPARES 01204 556111

ENVIRONMENT



THIS APPLIANCE IS MARKED ACCORDING TO THE EUROPEAN DIRECTIVE 2002/96/EC ON THE WASTE OF ELECTRICAL AND ELECTRONIC EQUIPMENT (WEEE). BY ENSURING THIS PRODUCT IS DISPOSED OF CORRECTLY, YOU WILL HELP PREVENT POTENTIAL NEGATIVE CONSEQUENCES FOR THE ENVIRONMENT AND HUMAN HEALTH, WHICH COULD OTHERWISE BE CAUSED BY INAPPROPRIATE WASTE HANDLING OF THIS PRODUCT.

THE SYMBOL ON THE PRODUCT INDICATES THAT THIS PRODUCT MAY NOT BE TREATED AS HOUSEHOLD WASTE. INSTEAD IT SHALL BE HANDED OVER TO THE APPLICABLE COLLECTION POINT FOR THE RECYCLING OF ELECTRICAL AND ELECTRONIC EQUIPMENT. DISPOSAL MUST BE CARRIED OUT IN ACCORDANCE WITH LOCAL ENVIRONMENTAL REGULATIONS FOR WASTE DISPOSAL. FOR MORE DETAILED INFORMATION ABOUT TREATMENT, RECOVERY AND RECYCLING OF THIS PRODUCT, PLEASE CONTACT YOUR LOCAL CITY OFFICE, YOUR HOUSEHOLD WASTE DISPOSAL SERVICE OR THE SHOP WHERE YOU PURCHASED THE PRODUCT.